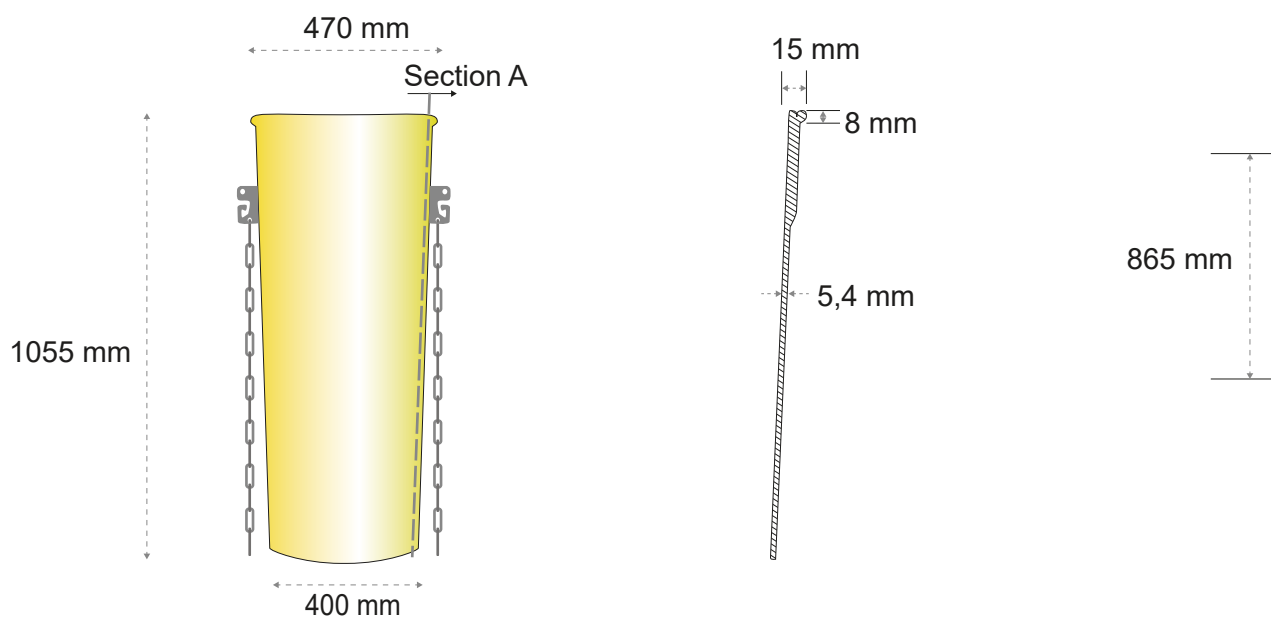


The **ITM plastic chutes** are an efficient solution for the correct evacuation of debris on any construction site. They avoid the escape of debris and reducing the effect of noise and dust. Its use is very simple. A succession of tubes joined together is placed from the evacuation point to the container.

Debris chute	Dimensions	Material	Colour	Weight	Code
	Ø Max. 470 mm Ø Min. 400 mm Height 1055 mm	PE-HD	Yellow	9 Kg	001003
		Metallic components	Washers DIN 125: 4 Self-locking Nuts DIN 985: 4 Quick link: 2		Chain support: 2 Screw M8 DIN 933:4 Chain DIN 763:2
Packaging	25 Units per pallet / Pallet size 115x115 cm				





The **ITM plastic chute** with hopper is the initial piece of the rubble chute column, indicated for the debris evacuation on any construction site. It can be used, according to the needs of construction, as an intermediate or lateral loading mouth.

It is perfect to enable a debris evacuation point from any part of the rubbish chute column. The ITM hoppers give construction professionals access to the rubble chutes column from a window, a balcony or intermediate floors.

	Dimensions	Material	Colour	Weight	Code
Standard debris chute	Ø Max. 470 mm Ø Min. 400 mm Height 860 mm Hopper: Width 335 mm Depth 415 mm	PE-HD	Yellow	10 Kg	110002
		Metallic components	Chain supports: 2 Washers DIN 9021: 4 Screws M8 DIN 933: 4 Chain DIN 763: 2	Washers DIN 125: 4 Self-locking Nuts DIN 985: 4 Quick Mesh: 2	
Packaging	12 Units per pallet / Pallet size 115x115 cm				

