

### CHANNEL DRAIN

Construction element used for the water evacuation in indoor areas such as showers, and outdoors such as parks, walks, gardens or swimming pools.

### GRATINGS

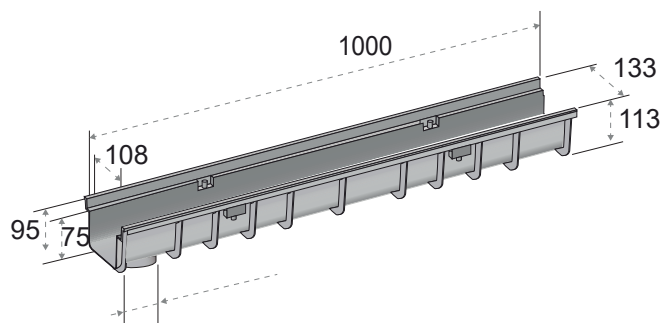
500 mm long, two gratings are required per drainage channel

### DRAINAGE CHANNEL ENDCAP

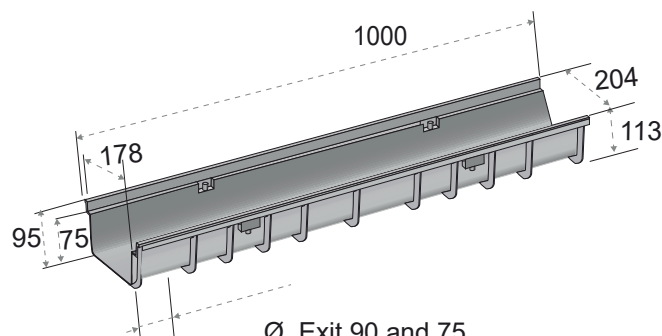
It closes one end of the channel drain. It has a closed cover, that can be opened for 75 and 90 mm diameter pipes.

### CLAMPING BRIDGE

It is used to fix metal grids to the channel drain (gutter), two clamping bridges are needed per gutter.

**Channel drain 130 x 1000**


Ø Exit 90 and 75

**Channel drain 200 x 1000**


Ø Exit 90 and 75

Material	Polyolefins			
Channel drain	Dimensions	Weight	Code	Packaging
	130 x 1000 mm	920 g	150002 G 150001 B	64 pieces x pallet
	200 x 1000 mm	1108 g	154002 G 154001 B	40 pieces x pallet
Gratings	Dimensions	Weight	Code	Packaging
	130 x 500 mm	447 g	148002 G 148001 B	640 pieces x pallet
	200 x 500 mm	635 g	153002 G 153001 B	384 pieces x pallet
Drainage channel endcap	Dimensions	Weight	Code	Packaging
	130 mm	58 g	151002 G 151001 B	4.032 pieces x pallet
	200 mm	80 g	155002 G 155001 B	2.400 pieces x pallet
Clamping bridge	Dimensions	Weight	Code	Packaging
	130 mm	23 g	152001	130 in bulk
	200 mm	32 g	156001	200 in bulk