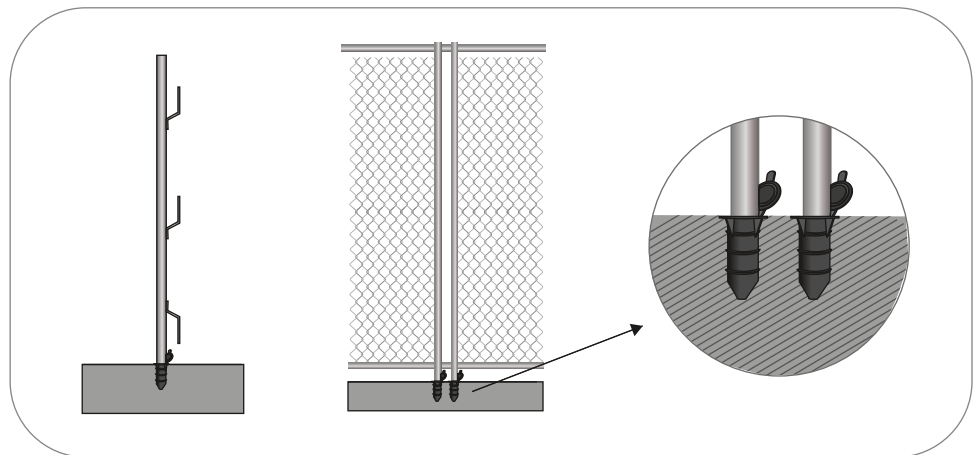
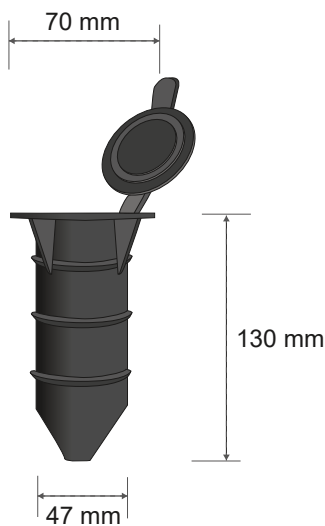




The **ITM guide support for tubes** is a lost formwork for the fixation of tubes with a diameter of 40 mm.

The guide tubes are placed with the lid closed during the soil foundation. Once dry, the lids can be opened, and the fence tubes can be inserted, so that they get fixed.



Guardrails guide tubes	Dimensions	Material	Colour	Weight	Code
	Ø for tubes with a diameter of 40 mm	Polyolefins	Black	36 g	113001
Packaging	Batches of 500 units in 100 units mesh sacks Pallet size 120x80 cm				