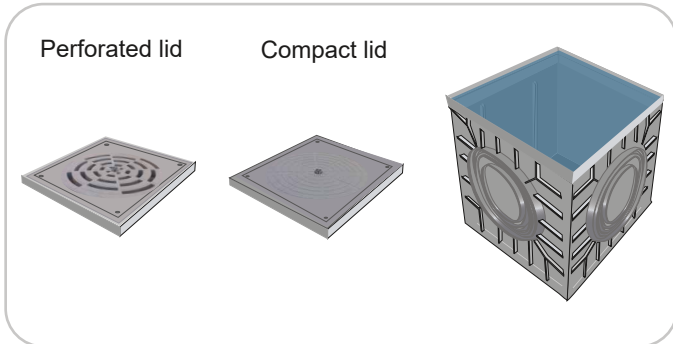


Plastic catch basin and components



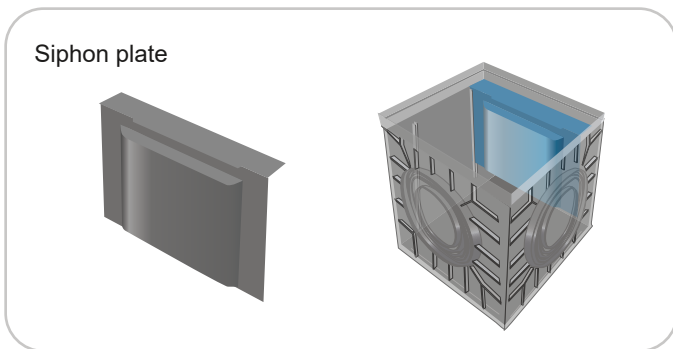
The ITM plastic catch basin is a register used in sanitation networks to receive, link and distribute underground pipelines or conduits.

It can also be used in electricity distribution networks and other wiring services such as telecommunications.

The plastic catch basin perform the same functions as the cement sump, but it's cheaper, permits faster installation, and has the standards for the industrial production of large volume, with a homogeneous appearance.

There are 5 models of cubic sumps: 200x200 mm, de 300x300 mm, 400x400 mm, 450X450 mm and 550x550 mm.

They are manufactured in two colours: grey and black.

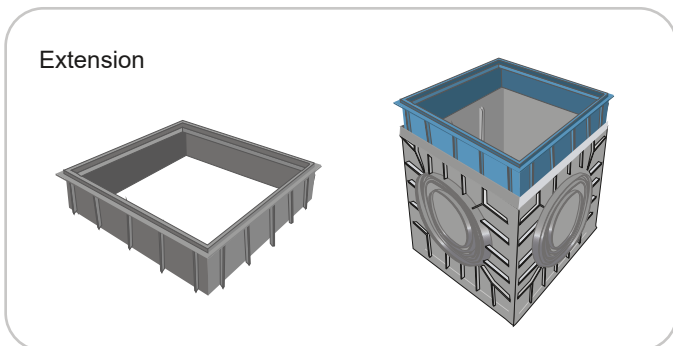


LID

The lid can be compact (totally closed), or perforated (with drainage holes), according to the customer's needs.

EXTENSION

The extensions are designed to increase the height of the cubic sumps when more depth is required.

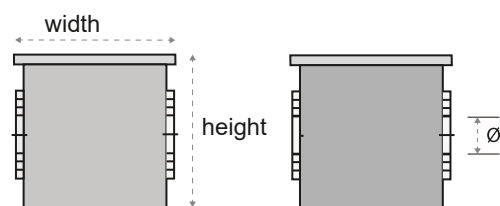
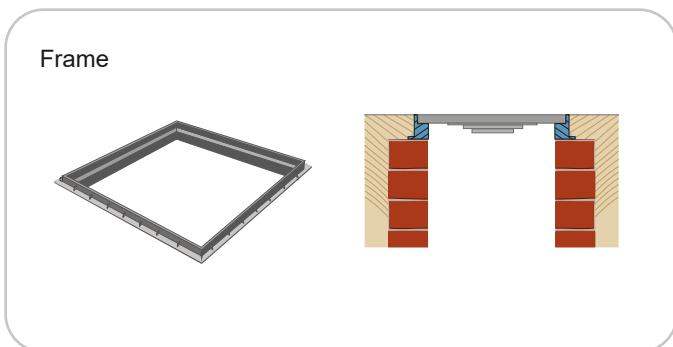


SIPHON PLATE

Prevents any odors from the pipes.

FRAME

It allows to fix an ITM plastic lid to the floor construction.



Material	Color
Polyolefins	Grey/Black

Applications
Water distribution and channeling

	Dimensions	Weight	Code	Packaging
SUMP Box	200 x 200	0,786 Kg	142002 G 143001 N	216 units per pallet
	300 x 300	1,620 kg	122002 G 122001 N	72 units per pallet
	400 x 400	2,780 kg	138002 G 138001 N	30 units per pallet
	450 x 450	3,643 kg	127002 G 127001 N	16 units per pallet
	550 x 550	5,420 kg	131002 G 131001 N	16 units per pallet

	Dimensions	Adaptation of lateral tubes
Adaptation of lateral tubes SUMP BOX	200 x 200	Ø50-Ø75-Ø90-Ø110-Ø125
	300 x 300	Ø75-Ø90-Ø110-Ø125-Ø160
	400 x 400	Ø75-Ø90-Ø110-Ø125-Ø140-Ø160-Ø200-Ø250
	450 x 450	Ø160-Ø200-Ø250-Ø315
	550 x 550	Ø160-Ø200-Ø250-Ø315

ACCESSORIES

	Dimensions	Weight	Code	Packaging
Compact lid	200 x 200	0,460 kg	143002 G 143001 N	800 units per pallet
	300 x 300	1,009 kg	121002 G 121001 N	400 units per pallet
	400 x 400	2,135 kg	137002 G 137001 N	204 units per pallet
	450 x 450	3,867 kg	125002 G 125001 N	48 units per pallet
	550 x 550	5,640 kg	130002 G 130001 N	48 units per pallet

	Dimensions	Weight	Code	Packaging
Perforated lid	200 x 200	0,306 kg	143004 G 143003 N	800 units per pallet
	300 x 300	0,855 kg	121004 G 121003 N	400 units per pallet
	400 x 400	1,647 k	137004 G 137003 N	204 units per pallet
	450 x 450	3,467 kg	125004 G 125003 N	48 units per pallet
	550 x 550	5,000 kg	130004 G 130003 N	48 units per pallet

	Dimensions	Weight	Code	Packaging
Frame	200 x 200	0,264 kg	147002 G 147001 N	800 units per pallet
	300 x 300	0,566 kg	120002 G 120001 N	400 units per pallet
	400 x 400	0,737 kg	140002 G 140001 N	204 units per pallet
	450 x 450	0,936 kg	129002 G 129001 N	48 units per pallet
	550 x 550	1,180 kg	133002 G 133001 N	48 units per pallet

	Dimensions	Weight	Code	Packaging
Extension	300 x 300	0,690 kg	119002 G 119001 N	132 units per pallet
	400 x 400	0,898 kg	139002 G 139001 N	464 units per pallet
	450 x 450	1,263 kg	128002 G 128001 N	40 units per pallet
	550 x 550	1,438 kg	132002 G 132001 N	40 units per pallet

	Dimensions	Weight	Code	Packaging
Siphon plate	300 x 300	0,380 kg	135002 G 135001 N	864 units per pallet
	400 x 400	0,500 kg	141002G 141001 N	864 units per pallet
	450 x 450	0,736 kg	136002 G 136001 N	276 units per pallet
	550 x 550	0,813 kg	144002 G 144001 N	276 units per pallet