

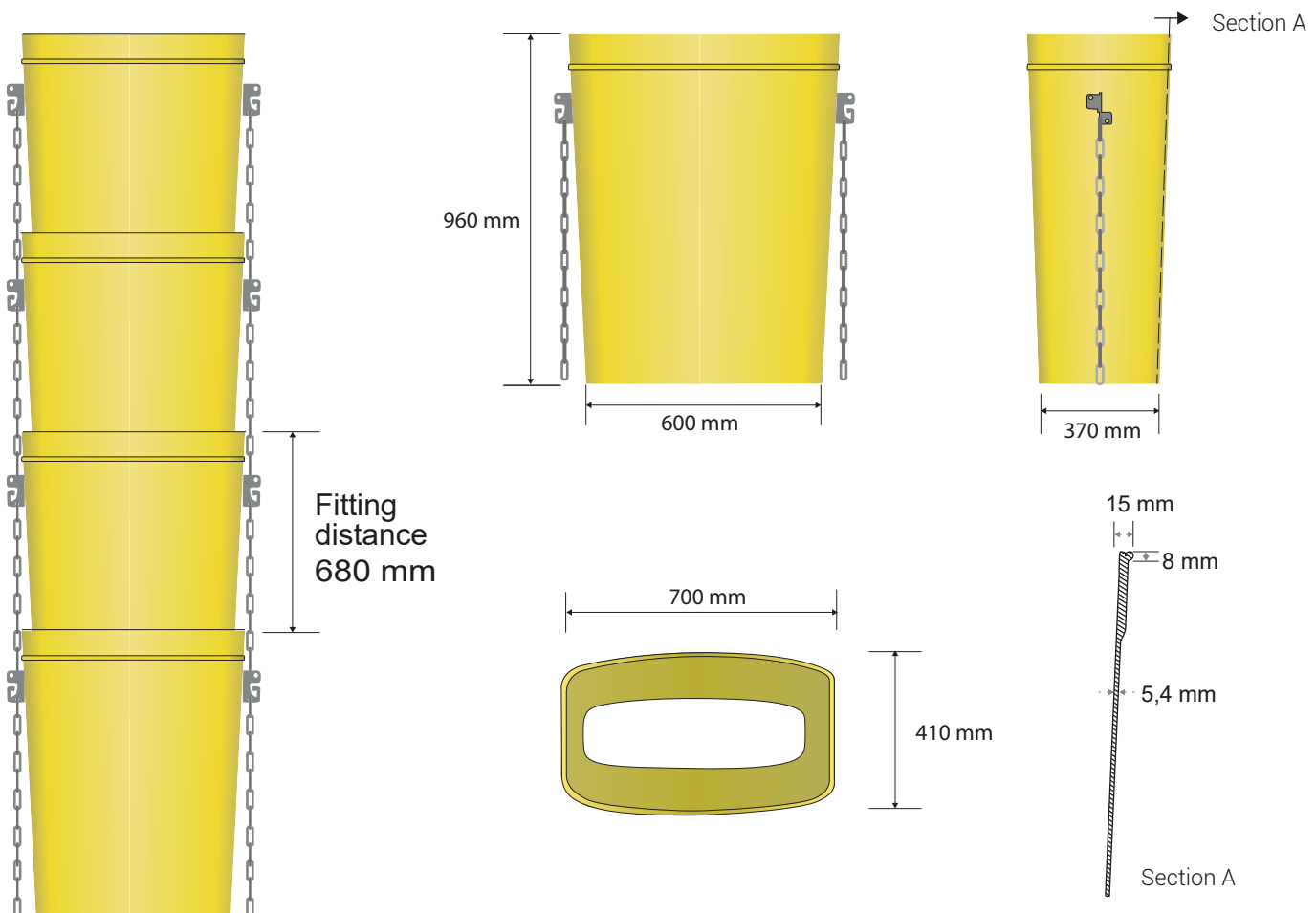


This **ITM Maxi debris removal system** is used in constructions that need to remove large volume debris, such as drywalls or plasterboards.

The Maxi plastic chutes facilitate the removal of debris in any construction in a fast and efficient way.

Its use is very simple. A succession of tubes joined together is placed from the evacuation point to the container.

Maxi debris chute	Dimensions	Material	Colour	Weight	Code
	General: 700 x 410 mm Base: 600 x 370 mm Height: 960 mm	PE-HD	Yellow	9 Kg	164001
Packaging	25 Units per pallet / Pallet size 115x115 cm				

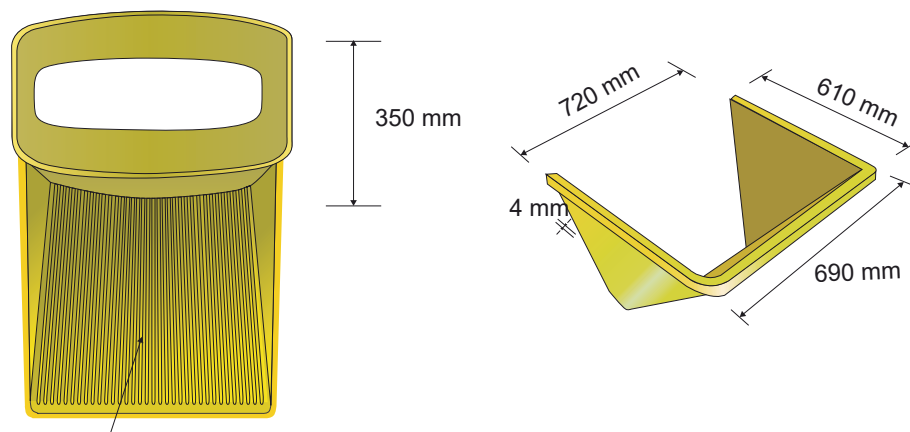
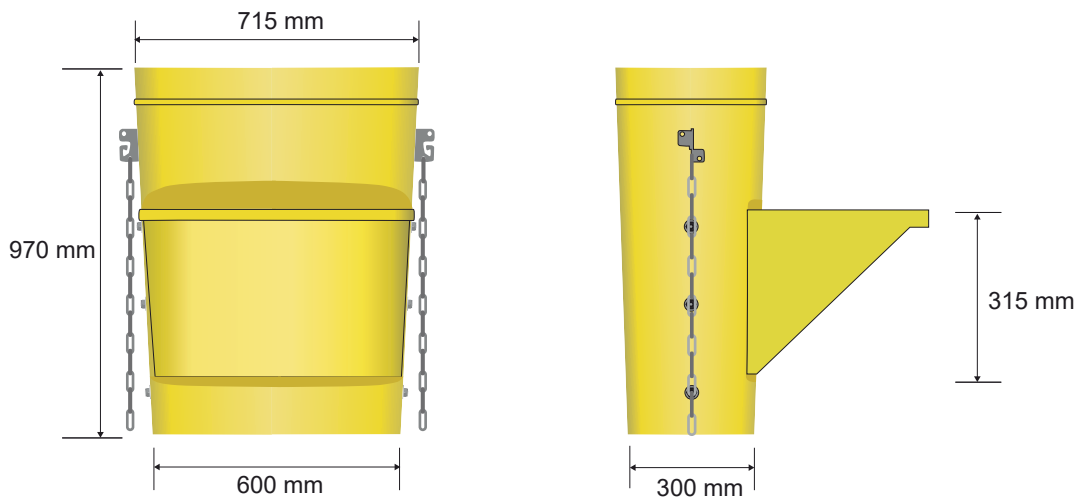




The **ITM Maxi chute with hopper** is the initial piece of the rubble chute column, indicated for the large-sized debris evacuation on any construction site.

Its design allows it to be used as an intermediate or lateral load, being possible its location in a window, a balcony or intermediate floors.

	Dimensions	Material	Colour	Weight	Code
Maxi chute with hopper	Totals: 715 x 350 mm Base: 660 x 300 mm Height 970 mm Hopper: Width 720 mm Depth 610 mm	PE-HD	Amarillo	13,5 Kg	164002
Packaging	12 Units per pallet / Pallet size 115x115 cm				



Inner reinforcement in the hopper