

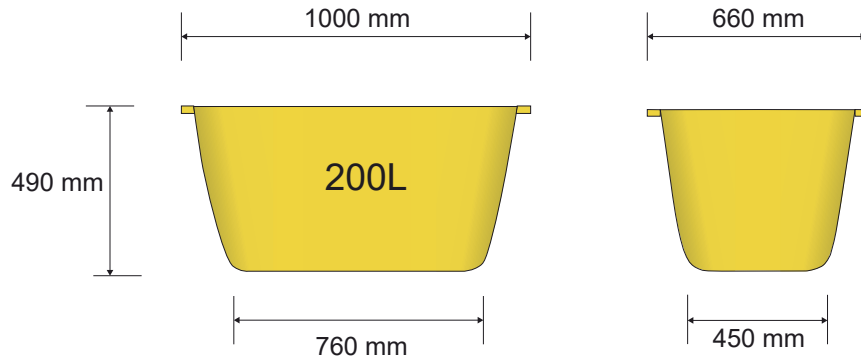
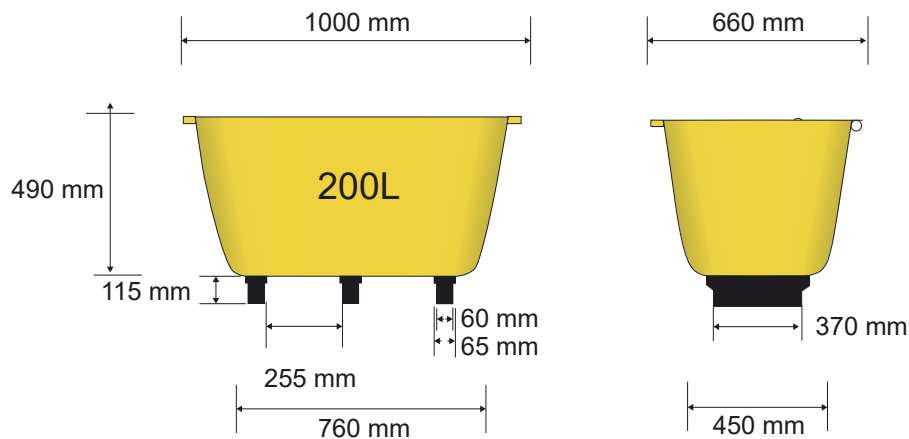
The **ITM mortar skip** with 200 liters capacity, allows easy transport of construction materials such as mortar, sand or gravel.

Unlike metal, it does not rust and does not deform.

It has two tilting rings and a bichromate steel tube hoop.

It can be easily transported using a crane.

In addition, it can be purchased without or with legs to facilitate transport by pallet truck.

Mortar skip

Mortar skips with legs


	Dimensions	Material	Colour	Weight	Code
Mortar skip (Max. load 400 Kg)	1000 x 600 x 490 mm	(HDPE) Natural high density polyethylene	Yellow	13 Kg.	145001
	Idem with legs			15 Kg.	145002
Packaging					
24 Units (with and without legs) / Pallet size 120x80 cm					