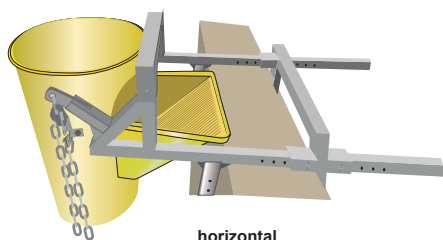


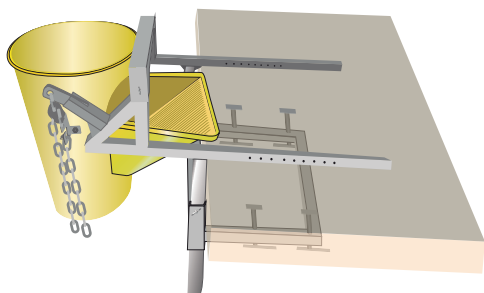


The **Universal ITM chute bracket**, made of structural iron, allows fixation of the standard and Maxi debris chutes. This anchor piece allows the horizontal and vertical fixation of the debris chutes in a fast, safe and comfortable way. It's a fully adjustable bracket, and facilitates a perfect subjection, without additional elements.

Support bracket (horizontal and vertical)

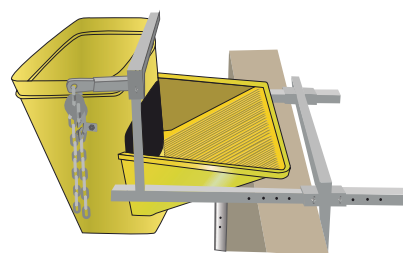


horizontal

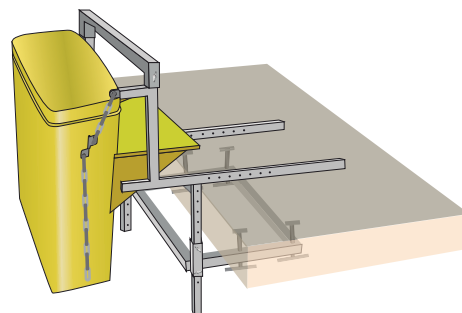


vertical

Maxi Support bracket (horizontal and vertical)

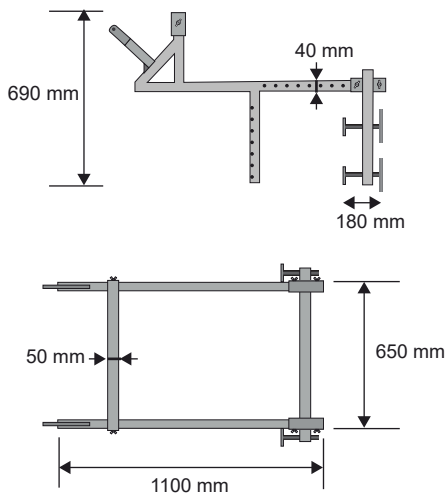


horizontal

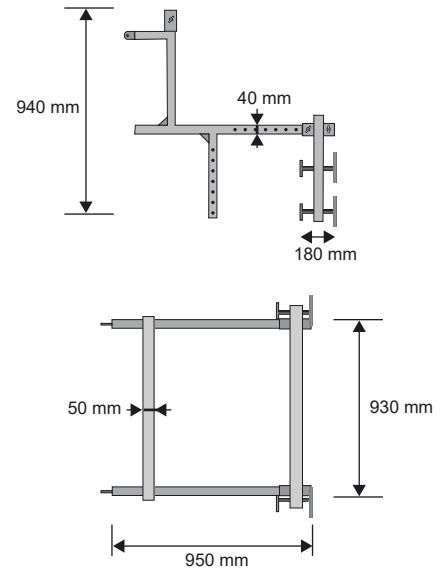


vertical

Support bracket dimensions



Maxi support bracket dimensions



The support is reinforced to ensure the support of a column of up to 10 chutes. This is equivalent to three building heights.

Reinforced chute bracket chains. Its 7 mm diameter links comply with DIN 763. The chains have a working load of 600 kg and a breaking load of 3.000 kg.

The C15 steel white zinc plated links, comply with the EN 10204-2.2 standard, and resist a work load of 880 kg.

All the materials used in the manufacture of the debris chutes ITM complements are of the highest quality, using the most stringent quality and efficiency procedures.

FEATURES

- Reinforced. It supports the weight of the chutes that are hanging from them (10 chutes maximum recommended).
- Easily attachable to any structural element of the construction work, thanks to its two fixing positions.

TECHNICAL FEATURES		
	SUPPORT BRACKET	MAXI SUPPORT BRACKET
Dimensions	Length: 1100 mm Width: 650 mm Height: 690 mm	Length: 950 mm Width: 930 mm Height: 940 mm
Material	Structural iron	Structural iron
Unit weight	32 Kg	29 Kg
Units per pallet	1 per pallet	1 per pallet
Reference	COMBAJ08	COMMAX02